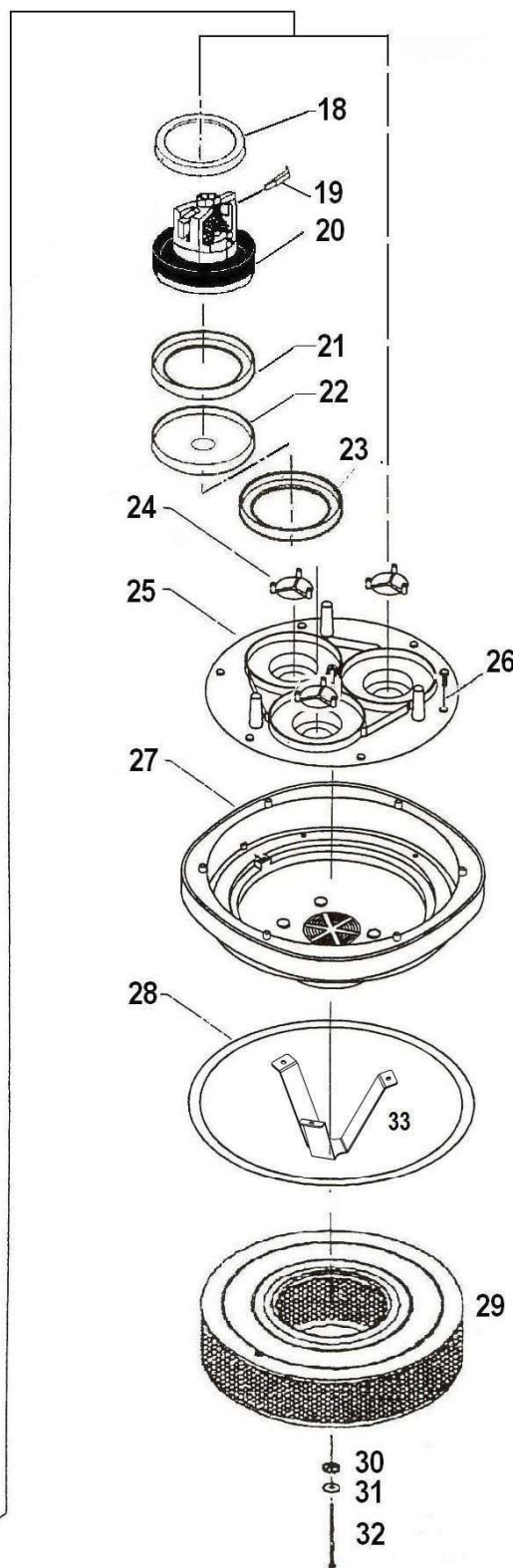
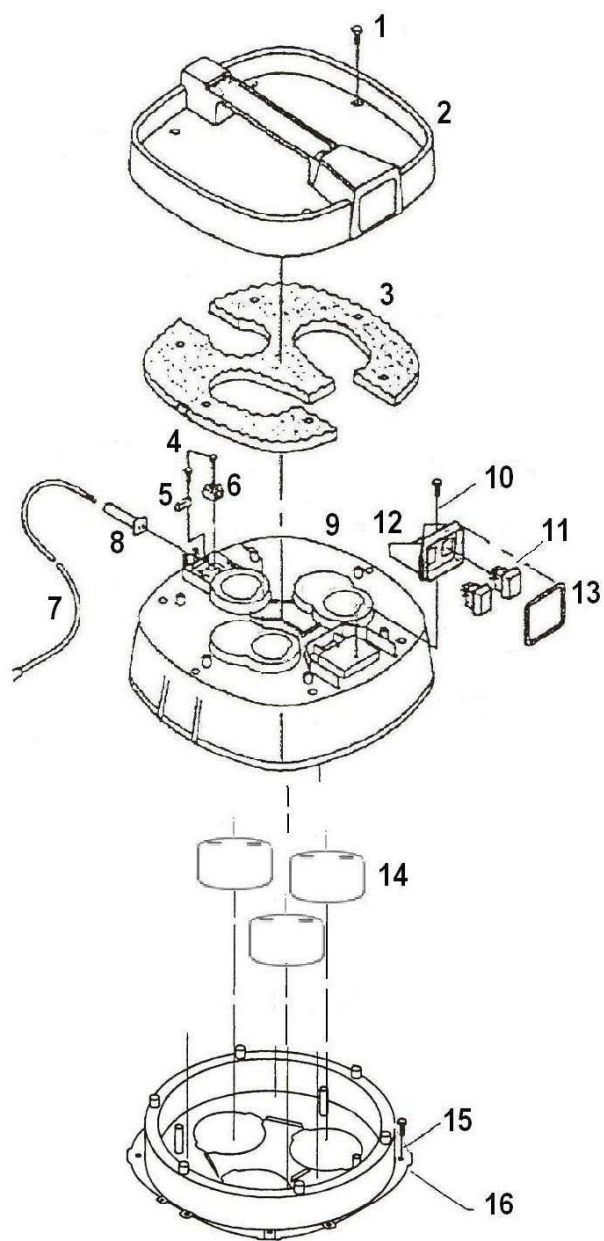


RONDA 2600®

09-19 VER3

A0.80.1028

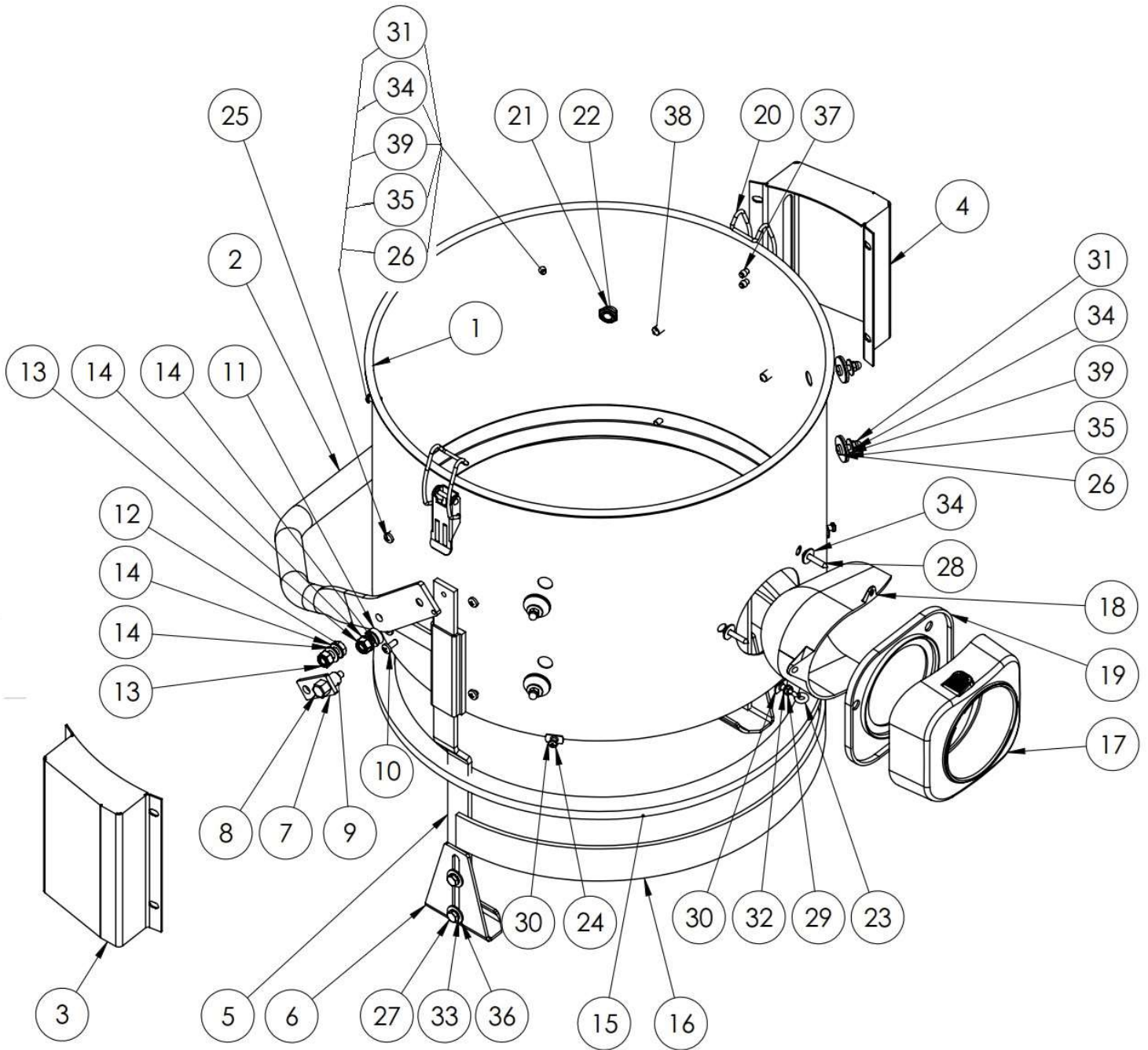


| RONDA | | Spare Parts List - Motor Top | | 2600 |
|-------|--------------------------|------------------------------|----------------------------|------------|
| Pos | Beskrivelse | Description | Beschreibung | Item |
| 1 | Plastite skrue 5 x 22mm | Plastite screw 5 x22mm | Plastite Schraube 5 x 22mm | 3081971510 |
| 2 | Topdæksel | Top cover | Deckel | 3081893840 |
| 3 | Lyddæmperskum | Noise reduction foam | Schaum-Geräuschdämpfer | 3081934030 |
| 4 | Plastite skrue 2,9x19mm | Plastite screw 2,9x19mm | Plastite Schraube 2,9x19 | 3081970030 |
| 5 | Aflastningsklemme | Bracket | Zugentlastung | 3081750060 |
| 6 | Kronmuffe | Supply terminal | Lüsterklemme | 3081750041 |
| 7 | EI-kabel med stik DK | Cable with plug DK | Kabel mit Stecker DK | 3081751430 |
| 7 | EI-kabel med stik Export | Cable with plug Export | Kabel mit Stecker Export | 3081750010 |
| 7A | Stikprop 15 A AUS /NZ | Plug 15A AUS / NZ | Stecker 15A AUS/NZ | 3085750046 |
| 8 | Ledningsindføring | Packing | Dichtung | 3081750080 |
| 9 | Motoroverdel | Motor top part | Motor Oberteil | 3081893990 |
| 10 | Plastite Skrue 5x16mm | Plastite screw 5x16mm | Plastite Schraube 5x16mm | 3081970140 |
| 11 | Kontakt | Switch | Schalter | 3081750110 |
| 12 | Afbryderhus | Housing | Gehäuse | 3081893760 |
| 13 | Pakning | Gasket | Dichtung | 3081953770 |
| 14 | Støjdæmpningskappe | Noise reduction cap | Schalldämpferkappe | 3081890175 |
| 15 | Skrue | Screw | Schraube | 3081970140 |
| 16 | Luftledeplade | Air baffle | Luftleitplatte | 3081894000 |
| 18 | Motorpakning | Motor gasket | Motordichtung | 3081950200 |
| 19 | Motorkul | Motor coal | Motorkohl | 308173176B |
| 20 | Motor A169 | Motor A169 | Motor A169 | 3084720015 |
| 21 | Motorpakning | Motor gasket | Motordichtung | 3081950013 |
| 22 | Motorbund | Motor bottom | Motorboden | 3081730004 |
| 23 | Motorpakning | Motor gasket | Motordichtung | 3081950610 |
| 24 | Ventil | Valve | Ventil | 3081891540 |
| 25 | Motorplade | Motor plate | Motorplatte | 3081894010 |
| 26 | Plastite skrue 5x16mm | Plastite screw 5x16mm | Plastite Schraube 5x16mm | 3081970140 |
| 27 | Motorunderdel | Motortop lower part | Motorkopf Unterteil | 308189387A |
| 28 | Beholderpakning | Container gasket | Behälterdichtung | 3081951130 |
| 29 | HEPA-filter | HEPA-filter | HEPA-Filter | 3084675007 |
| 31 | Gummiskive | Rubber washer | Scheibe Gummi | 308197099A |
| 32 | Skrue M6x16mm | Screw M6x16mm | Schraube M6x16mm | 3083975214 |
| 33 | Anker for HEPA filter | Anchor for HEPA-filter | Anker für HEPA-Filter | 3081970102 |
| 44 | | | | |

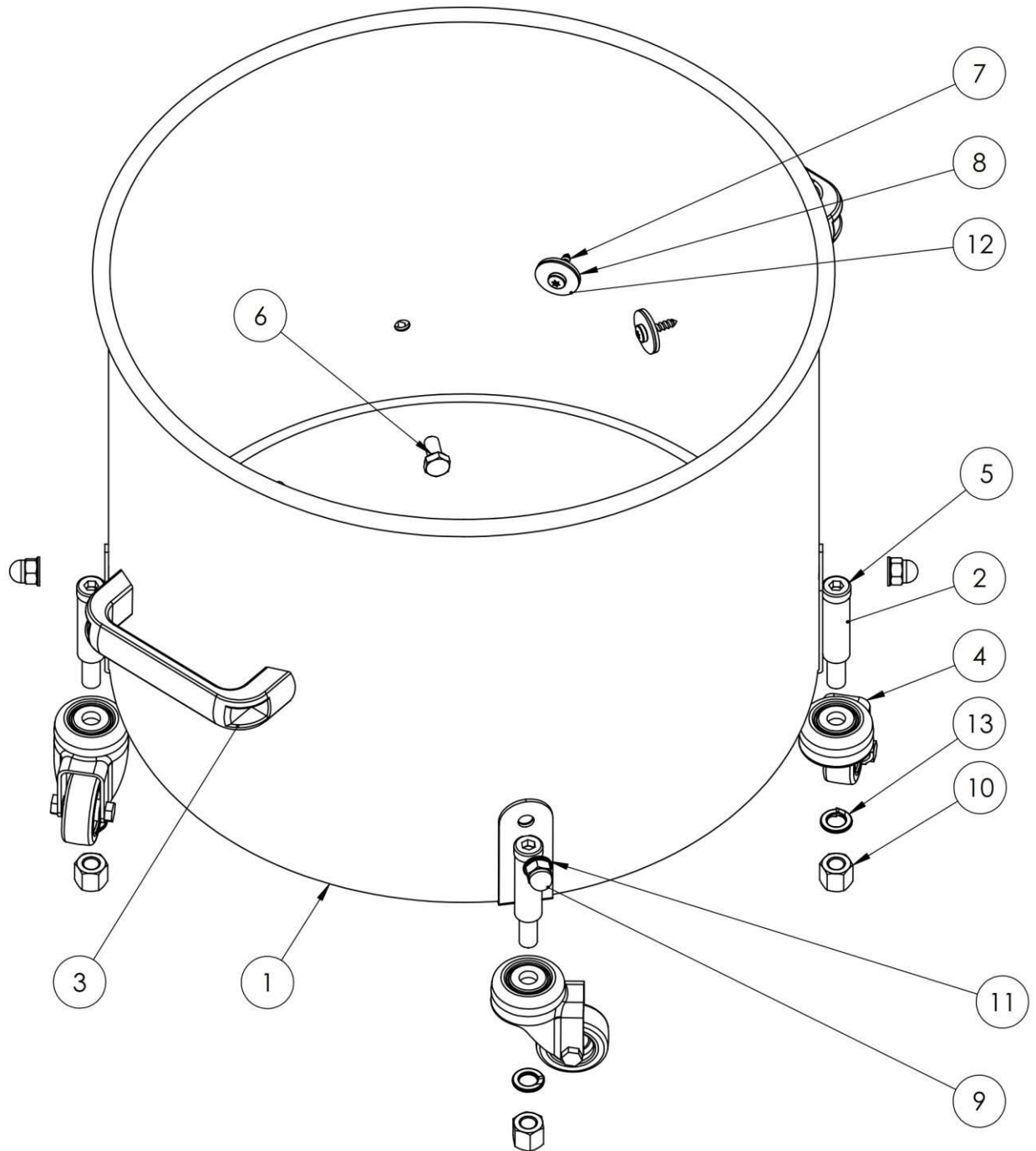
RONDA

Spare Parts List -Adapter

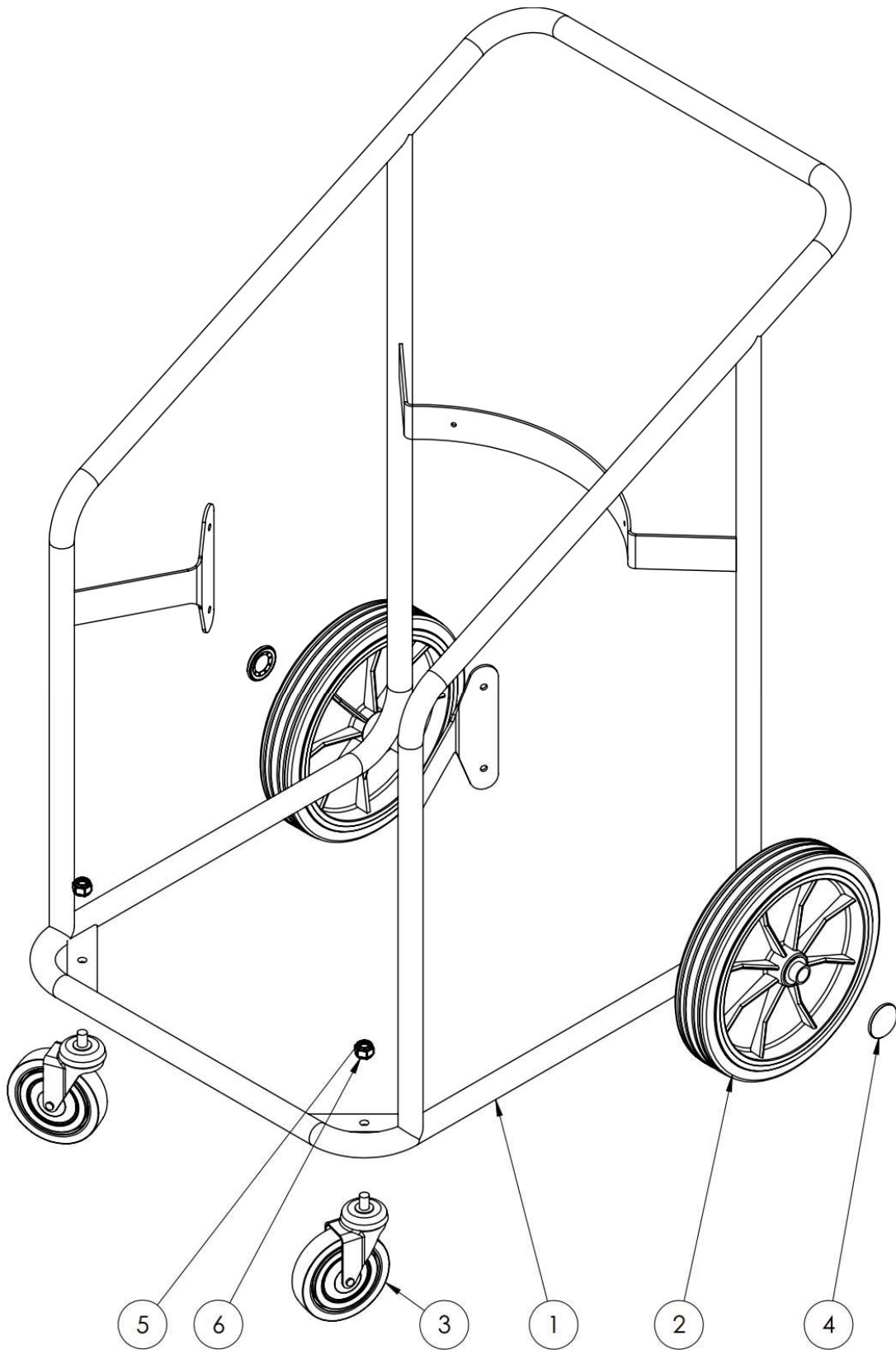
2600



| RONDA | | Spare Parts List - Adapter | | 2600 |
|-------|---------------------------------|-----------------------------|--------------------------------|---------------|
| Pos | Beskrivelse | Description | Beschreibung | Item |
| 1 | | | | |
| 2 | Håndtag, sort | Handle, Black | Heber - griff, Schwartz | 30.81.85.1170 |
| 3 | Skjold for mekanisme, Højre | Cover for mechanism, R | Abdeckung für Mechanismus, R | 30.81.85.1171 |
| 4 | Skjold for mekanisme, Venstre | Cover for mechanism, L | Abdeckung für Mechanismus, L | 30.81.85.1172 |
| 5 | Løftearm | Lifting arm | Hebearm | 30.81.91.0522 |
| 6 | Griber for beholder | Hook for container | Harken für Behälter | 30.81.85.1173 |
| 7 | Tap for løftearm (5) | Bolt for lifting arm (5) | Bolzen für Hebearm (5) | 30.83.97.0072 |
| 8 | Vippe beslag for (5) | Tilt bracket for (5) | Kip-Klammer für (5) | 30.81.85.1174 |
| 9 | Afstandsstykker for (7) | Spacer for (7) | Abstandhalter für (7) | 30.83.97.0073 |
| 10 | Skrue M5 x 12 | Screw M5 x 12 | Schraube M5 x 12 | 30.83.97.0027 |
| 11 | Skrue M8x20 | Screw M8x20 | Schraube M8x20 | 30.83.97.0076 |
| 12 | Bolt M8x20 | Nut M8 x 20 | Bolzen M8 x 20 | 30.83.97.0074 |
| 13 | Låsemøtrik M8 | Self-locking nut M8 | Selbstsichernde Mutter M8 | 30.83.97.5193 |
| 14 | 8mm facetskive | 8 mm washer | 8 mm Facetscheibe | 30.83.97.4440 |
| 15 | Dafacell 10x20mm (1,4m) | Dafacell 10x20 mm (1.4m) | Dafacell 10x20 mm (1,4m) | 30.83.96.0205 |
| 16 | Stopring | End-stop | Anschlagring | 30.83.89.0001 |
| 17 | Beholderkobling Ø90 | Container coupling Ø90 | Behälterkupplung Ø90 | 30.81.81.148C |
| 18 | Plast luftleder for Ø90 kobling | Air guide tube for Ø90 cou. | Luftführungsrohr für Ø90 Kupp. | 30.81.81.147B |
| 19 | Gummipakning for Ø90 kobling | Rubber seal for Ø90 coup. | Gummidichtung f'ur Ø90 Kupp. | 30.81.95.1508 |
| 20 | Beholderclips | Container latch | Behälterklammer | 30.81.91.342A |
| 21 | Kontramøtrik ¼" BSPP | Lock nut ¼" BSPP | Gegenmutter ¼" BSPP | 30.81.97.0019 |
| 22 | Rørprop ¼" BSPP | Pipe plug ¼" BSPP | Rohrstopfen ¼" BSPP | 30.81.97.0018 |
| 23 | Øjeskrue M4x20mm | Eye screw M4x20 mm | Augenschraube M4x20 mm | 30.83.97.6770 |
| 24 | M4 x 6mm skrue | M4 x 6 mm screw | M4 x 6 mm Schraube | 30.81.97.2391 |
| 25 | M5 x 12mm skrue | M5 x 12 mm screw | M5 x 12 mm Schraube | 30.83.97.0027 |
| 26 | M5x14 mm skrue | M6 x 14 mm screw | M6 x 14 mm Schraube | 30.83.97.4480 |
| 27 | M6x10 bolt | M6 x 10 bolt | M6 x 10 Bolzen | 30.81.97.1195 |
| 28 | Pladeskrue 4,8x25mm | Tapping screw 4.8x25mm | Blechschrube 4,8x25mm | 30.81.97.0011 |
| 29 | M4 låsemøtrik | M4 self-locking nut | M4 selbstsichernde Mutter | 30.83.96.0114 |
| 30 | Svejsømøtrik M4 rustfri | Weld nut M4 stainless | Schweissmutter M4 rostfrei | |
| 31 | M5 topmøtrik | M5 cap nut | M5 Hutmutter | 30.83.97.5196 |
| 32 | Sikringsskive 4 mm | Lock washer 4 mm | Sicherungsscheibe 4 mm | 30.83.97.0032 |
| 33 | Sikringsskive 6 mm | Lock washer 6 mm | Sicherungsscheibe 6 mm | 30.83.97.0022 |
| 34 | Skærmskive Ø5/15mm | Protective washer Ø5/15 mm | Abdeckscheibe Ø5/15 mm | 30.81.97.0771 |
| 35 | Skive 6x24x1 mm | Washer 6x24x1 mm | Scheibe 6x24x1 mm | 30.81.97.1000 |
| 36 | Skive 18x6,4x1,6 mm | Washer 18x6.4x1.6 mm | Scheibe 18x6,4x1,6 mm | 30.81.97.0008 |
| | | | | |
| 38 | Sort hætte Ø5,5 x 13mm | Black cap Ø5.5x13 mm | Schwarze Kappe Ø5,5x13 mm | 30.81.97.0117 |
| 39 | Gummiskive Ø25 mm | Rubber seal Ø25 mm | Gummidichtung Ø25 mm | 30.81.97.099A |
| 40 | | | | |



| RONDA | | Spare Parts List | | 2600 |
|-------|----------------------------|--------------------------------|------------------------------|---------------|
| Pos | Beskrivelse | Description | Beschreibung | Item |
| 1 | Stålbeholder D.406 H.300mm | Steel container D.406 H.300 mm | Stahlbehälter D.406 H.300 mm | 30.83.79.0010 |
| 2 | Gult hjulbeslag | Wheel support yellow | Gelber Rollenbeschlag | 30.83.85.5190 |
| 3 | Gult håndtag | Yellow handle | Gelber Handgriff | 30.81.91.098A |
| 4 | Drejehjul Ø40 | Castor Ø40 | Rolle Ø40 | 30.81.87.3825 |
| 5 | Unbraco - skrue M10x70mm | Allen screw M10x70mm | Unbraco M10x70mm | 30.81.97.0045 |
| 6 | Bolt M8x16mm | Bolt M8x16mm | Bolzen M8x16mm | 30.83.97.5163 |
| 7 | Plastite skrue 5x20mm | Plastite screw 5x20 mm | Plastite schraube 5x20 mm | 30.81.97.0140 |
| 8 | Gummiskive Ø25mm | Rubber seal Ø25 mm | Gummischeibe Ø25 mm | 30.81.97.099A |
| 9 | M8 topmøtrik | M8 cap nut | M8 Hutmutter | 30.81.97.0450 |
| 10 | M10 møtrik høj | M10 Nut - High | M10 Mutter - hoch | 30.81.97.1031 |
| 11 | 8mm facetskive | 8 mm washer | 8 mm Facetscheibe | 30.83.97.4440 |
| 12 | Skive 6x24x1mm | Washer 6x24x1 mm | Scheibe 6x24x1 mm | 30.81.97.1000 |
| 13 | M10 Fjederskive | M10 Spring washer | M10 federscheibe | 30.83.97.0019 |

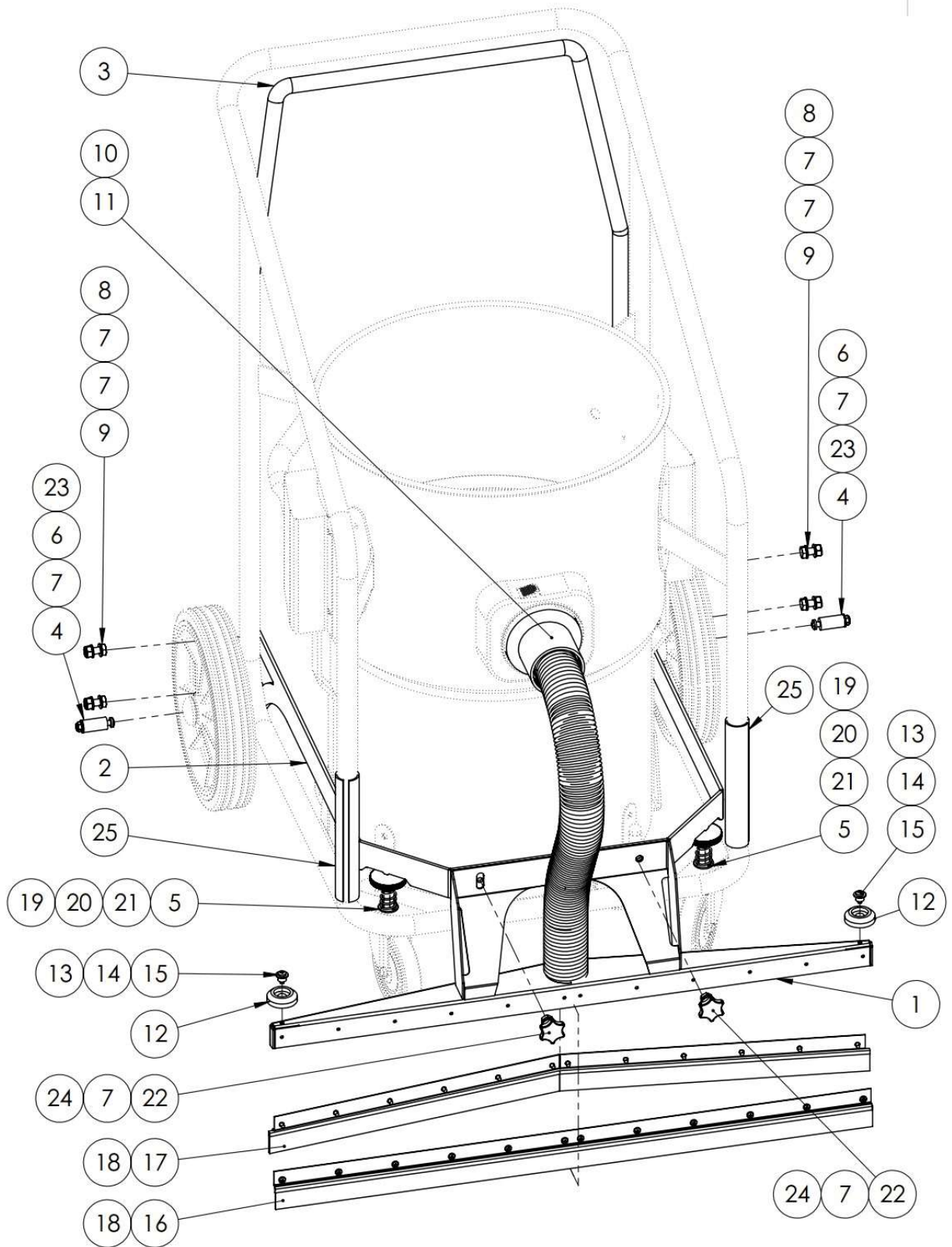


RONDA

Spare Parts List

2600

| Pos | Beskrivelse | Description | Beschreibung | Item |
|-----|------------------------|------------------------------|--------------------------|---------------|
| 1 | Rammestativ u. hjul | Trolley frame without wheels | Rahmengestell ohne Räder | 30.83.85.5001 |
| 2 | Hjul D 250mm | Wheel D 250 mm | Rad D 250 mm | 30.81.87.5070 |
| 3 | Drejehjul D 100 | Swirvel wheel D 100 | Drehrolle D 100 | 30.81.87.9650 |
| 4 | Starlock D20 med kappe | Starlock D20 with cap | Zierdeckel D20 | 30.81.85.5080 |
| 5 | M10 låsemøtrik | M10 self-locking nut | M10 Gegenmutter | 30.83.97.5178 |
| 6 | M10 fjederskive | M10 lock washer | M10 Federscheibe | 30.83.97.0019 |



RONDA

Spare Parts List

2600

| Pos | Beskrivelse | Description | Beschreibung | Item |
|-----|---|---|-------------------------------------|---------------|
| 1 | RN75/2 frontmundstykke - sort pulverlakeret | RN75/2 Front Nozzle - black painted | RN75/2 Frontdüse - schwarz lackiert | 30.80.31.0098 |
| 2 | Ronda vippeprofil for RN75 mundstykke. | Ronda tilt-profile for RN75 nozzle | Ronda Kipp-Profil für RN75 Düse | 30.83.85.0750 |
| 3 | Ronda hånd bøjle for løft af mundstykke RN75 | Ronda RN75 Handle | Ronda RN75 Bügel | 30.83.85.0751 |
| 4 | Ronda/Ghibli afstandsstykke flad, L30mm D15mm | Ronda distance piece, D.15/d.6mm x 30mm, flat | Ronda Stützsteg, flach, L30mm | 30.83.97.4290 |
| 5 | Skive 10,5x22x1,25mm | Washer 10,5x22x1,25mm | D15mm d6mm, | 30.81.97.1650 |
| 6 | Ronda/Ghibli M6 låsemøtrik | Ronda M6 self locking nut | Scheibe 10,5x22x1,25mm | 30.83.97.050A |
| 7 | Ronda/Ghibli 8mm facetskive | Ronda M8 washer | Ronda M6 selbstsichernde | 30.83.97.4440 |
| 8 | Låsemøtrik M8 FZB | Self-locking nut M8 | Ronda Facetscheibe 8mm | 30.83.97.5193 |
| 9 | Bolt 8x 20 | Bolt 8x 20 | Selbstsichernde Mutter M8 | 30.83.97.4768 |
| 10 | Komplet slange med studs | Hose complete with coupling | Bolzen 8 x 20 | 30.84.54.3851 |
| 11 | (10) | (10) | Schlauch mit kupplung | - |
| 12 | Hjul | Wheel | (10) | 30.86.24.5082 |
| 13 | Bøsning for hjul | Wheel -Bushing | Rad | 30.86.24.5083 |
| 14 | Rustfri skærmskive Ø-5/15mm | Washer 5 mm inox | Buchse für Rad | 30.81.97.0771 |
| 15 | M-skrue PHZ 5x12mm rustfri | PHZ,M5x12 mm, inox | Rostfreie Planscheibe D.5mm | 30.83.97.4311 |
| 16 | Komplet liste sæt | Complete set | PHZ M5x12 mm, rostfrei | 30.85.46.2001 |
| 17 | (16) | (16) | Satz mit børsten | |
| 18 | M-skrue PHZ 4 x 6mm | PHZ M4 x 6 mm | (16) | 30.81.97.2391 |
| 19 | Fingerskrue Ø-44mm M10 x 16mm | Ø44mm x M10x16 | PHZ M4 x 6 mm | 30.83.97.0056 |
| 20 | 6-kt. M10x25mm gevindmuffe | M10x25mm thread cuff, FZB | Schraube D44mm M10x16mm | 30.83.97.0055 |
| 21 | Trykfjeder 2x16x40mm | Comp. spring 2x16x40mm | M10x25mm Gewindemuffe | 30.81.97.0079 |
| 22 | Fingerskrue Ø-34mm x M8 indiv. gevind. | screw D.34mm x M8 inside thread | Druckfeder 2x16x40mm | 30.83.97.0054 |
| 23 | 6 x 50 bolt | 6 x 50 Bolt | Schraube D34mm x M8 | 30.81.97.1304 |
| 24 | 6-kant bolt 8x16mm FZB fuldt gevind | Hexagonbolt 8x16 mm FZB fully threaded | 6 x 50 Bolzen | 30.83.97.5163 |
| 25 | Plast beskyttelsesskinne | Plastic Bumper | Sechskantschraube 8x16 mm | 30.83.89.4500 |
| | | | FZB Vollgewinde | |
| | | | Kunststoffschiene | |

NOTES:

CONTACT INFORMATION:

+45 86 82 43 66
V@BROENDUM.COM
WWW.BROENDUM.COM